



# FORKLIFT

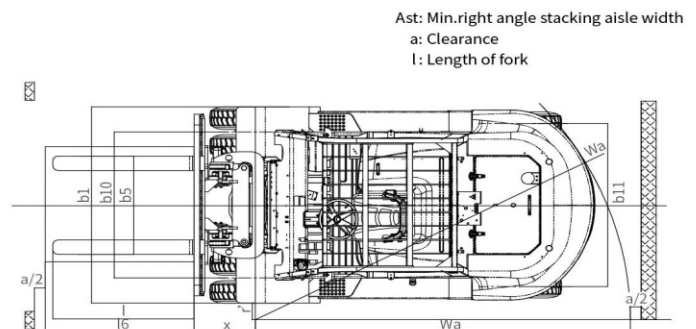
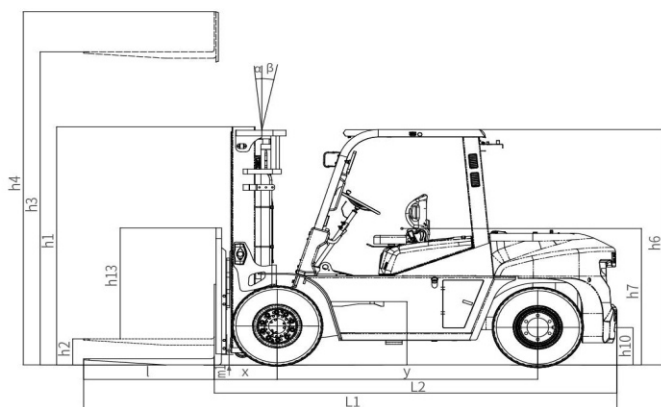
## 5-10 t

Internal Combustion  
Counterbalanced Forklift Truck



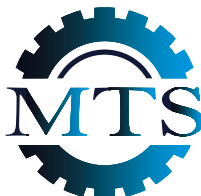
MANUFACTURER AND TECHNICAL DATA

1.0	Manufacturer		ANHUI HELI CO.,LTD					
2.0	Model		CPCD50	CPCD60	CPCD70	CPCD80	CPCD90	CPCD100
3.0	Configuration number		W2K2					
Characteristics								
4.01	Rated capacity	kg	5000	6000	7000	8000	9000	10000
4.02	Load center distance	mm	600					
4.03	Power mode		Diesel					
4.04	Driving mode		Seat-type					
4.05	Front overhang	x mm	575	580	585	695	685	700
4.06	Wheelbase	y mm	2400		2400		2550	
4.07	Total weight	kg	8000	8570	9170	10040	11450	12300
Dimension parameter								
5.01	Mast tilt angle (forward/backward)	$\alpha/\beta$ °	6/12					
5.02	Height (mast lowered)	h1 mm	2480		2547		2700	
5.03	Free lifting height	h2 mm	155	160	165	170	190	200
5.04	Lifting height (standard)	h3 mm	3000					
5.05	Max. height,extended (with backrest)	h4 mm	4400		4467		4250	
5.06	Height of overhead guard	h6 mm	2450		2510		2560	
5.07	Seat height relating to SIP (to ground)	h7 mm	1430		1490		1540	
5.08	Towing coupling height	h10 mm	390		450		475	
5.09	Ground clearance (between mast)	m1 mm	180		245		250	
5.10	Backrest height (calculated from the surface of the fork)	h13 mm	1360	1350	1345	/	/	/
5.11	Overall length (with fork)	L1 mm	4770	4850	4890	5020	5180	5440
5.12	Overall length (without fork)	L2 mm	3550	3630	3670	3800	3960	4220
5.13	Overall width	b1 mm	2044		2124		2164	
5.14	Fork adjustable range (the external of the fork)(Max./Min.)	b5 mm	300-1845		370-1750		470-1990	
5.15	Fork size:thickness x width x length	s/e/l mm	55x150x1220	60x150x1220	65x150x1220	70x150x1220	80x175x1220	
5.16	Tread, front	b10 mm	1520		1520		1600	
5.17	Tread, rear	b11 mm	1700		1700		1700	
5.18	Right angle stacking aisle width for pallet 1000 x1200mm crossways	Ast mm	5230	5280	5350	5470	5740	6060
5.19	Min. outside turning radius	Wa mm	3250	3300	3350	3400	3630	3940
Performance Data								
6.01	Travel speed (laden/unladen)	km/h	25/29	25/29	25/29	25/29	25/29	25/29
6.02	Lift speed (laden/unladen)	mm/s	500/530	500/530	500/530	450/480	390/420	330/350
6.03	Lowering speed (laden/unladen)	mm/s	WITHOUT LOAD $\geq 300$ WITH FULL LOAD $\leq 600$					
6.04	Max.drawbar pull (laden)	kN	60	60	60	60	60	60
6.05	Max.gradeability (laden/unladen)	%	35/20	32/20	30/20	38/20	25/20	20/20
Tyres								
7.01	Wheels,number front/rear (x=driven wheels)		4X/2					
7.02	Tyre type front/rear		Pneumatic-tyre					
7.03	Tyre size,front		8.25-15-14PR		8.25-20-14PR		9.00-20-14PR	
7.04	Tyre size,rear		8.25-15-14PR		8.25-15-14PR		9.00-20-14PR	
Combustion-engine								
8.01	Engine manufacturer/Moel		ISUZU 6BG1QC-02					
8.02	Rated power/Speed	Kw/rpm	82/2000					
8.03	Max. torque/Speed	Nm/rpm	415/1400-1600					
8.04	Cylinder number-bore x stroke	/L	6-105X125/6.5					
8.05	Fuel tank capacity	L	140					
Other								
9.01	Transmission type		Hydraulic transmission - mechanical shift(electro-hydraulic directional change optional)					
9.02	Transmission number of speed (fwd/bwd)		2/2					
9.03	Service brake		Powered brake-pedal type					
9.04	Parking brake		Mechanical-hand brake lever type					
9.05	Operating pressure for attachments	mpa	20.5		23		20.5	
9.06	Battery voltage/Capacity	V/Ah	2X12/80					



Ast: Min.right angle stacking aisle width  
a: Clearance  
l: Length of fork

9



MITRA TEKNINDO SEJATI

**Jakarta**

Galeri Niaga Mediterania 1  
Jl. Pantai Indah Utara II Blok. X3 No. G8A-8B  
Pantai Indah Kapuk - Jakarta Utara

**Tangerang**

Kawasan Industri Milenium Blok P2 No. 3  
Jl. Pemda Tigaraksa, Sukamulya,  
Cikupa, Tangerang - Banten  
Telp. 021 59645008

**Surabaya**

Jl. Raya Gilang 8, Gilang, Kec. Taman,  
Sidoarjo - Jawa Timur 61257  
Telp. 031 99794078

**Makassar**

Jl. Ir. Sutami, Pertamina (Pengisian Gas Elpiji)  
PT. Pergudangan Permata Alam Blok B No. 10  
Makassar - Sulawesi Selatan  
Telp 0411 8037636

**Samarinda**

Jl. Ampera Pergudangan Mangkupas Bisnis  
Center Blok D20 Simpang Pasir  
Palaran, Samarinda - Kalimantan Timur  
Telp. 0541 7263751

**Palembang**

Jl. Nanas No.1 RT.07 RW.03 BTN Air Paku,  
Tanjung Enim Selatan, Lawang Kidul,  
Muara Enim - Sumatera Selatan